

10X10 DECOFLEX BEND-R

Flexible linear LED strip with a continuous chip-on-board linear phosphor to provide a homogeneous lit effect.

Dimensions (W/H): 10mm / 10mm

Cutting Interval: 100mm

Entire Reel Length: 5m

Warranty: 5 Years

Bin/Step: 2-Step Macadam Ellipse

Lifetime: 50,000 Hrs

Operating Temperature: -25°C to 40°C

Storage Temperature: -40°C - 80°C

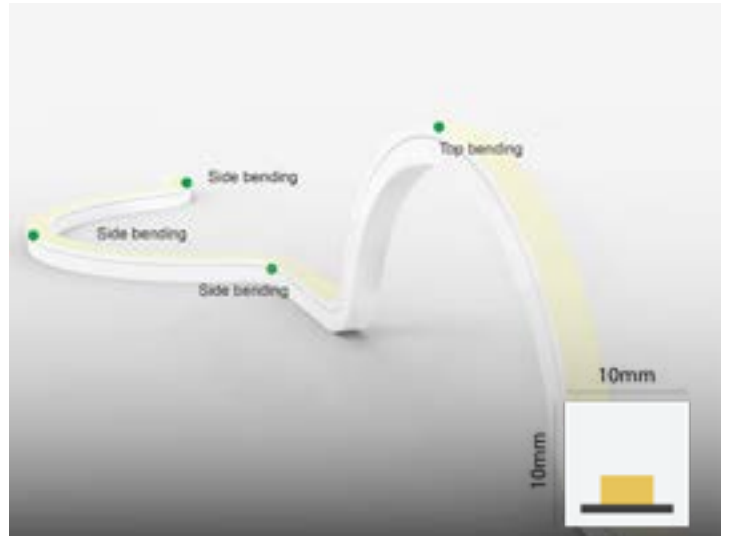
IP Rating: IP67

Lumen Maintenance: LM80

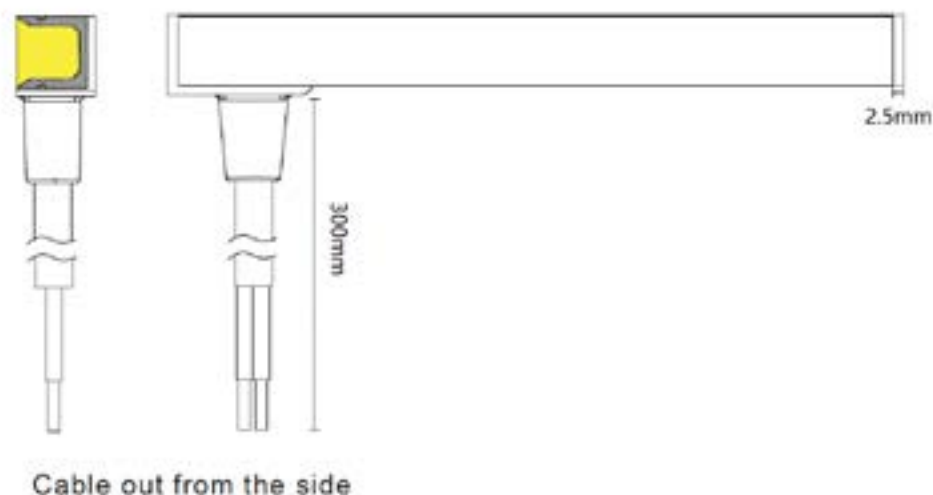
Voltage: 24V

Dimming Options: Non Dim / Mains Dim / 1-10V / DALI

Bending Diameter: 300mm



TECHNICAL DRAWING



TECHNICAL SPECIFICATIONS

CCT	1900k	2300k	2700k	3000k	3500k	4000k	5000k	6500k
LM/M	406	494	545	584	584	618	533	537
Power/M (W)	7.7	7.4	7.7	7.7	7.7	7.5	7	7.4
Light Efficiency (LM/W)	53	67	71	76	76	83	76	72
CRI	90							

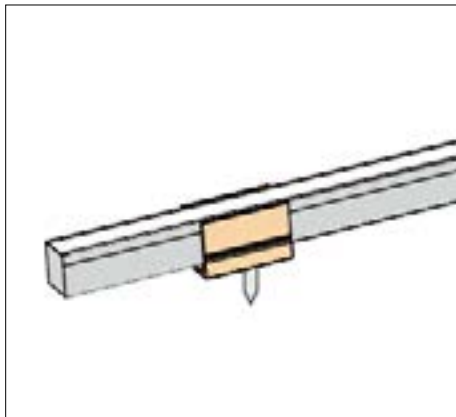
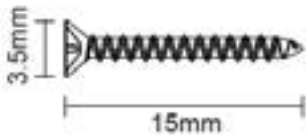
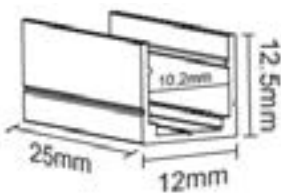
PARTCODE BUILDER

Example Code: NF-10X10-BEND-R-27-90-67-24-CM

Model	Size	View	CCT	CRI	IP Rating	VOLTS
NF <small>Neon Flex</small>	10X10	BEND-R <small>Bend</small>	19	90	67	24
			23			
			27			
			30			
			35			
			40			
			50			
			65			

INSTALLATION ACCESSORIES

Aluminum Buckle	12 x 12.5 x 25mm
Screws Included	15 x 3.5mm
Length	1000mm
Buckle	4pcs
Screw	4pcs



Aluminum Profile	12 x 12.5 x 1000mm
Length	1000mm

