

## DECOFLEX SIDE VIEW (11X20) RGB

DecoFlex Side View RGB is a flexible linear organic shaped lighting fixture, suitable for architectural indoor and outdoor (IP67) lighting projects, providing a stunning homogeneous high-performance lighting to highlight the perimeters of buildings, bridges, etc.

### PRODUCT FEATURES

IP67

Warranty: 2 Years

Smooth Colour Changing with Controller

Minimum Strip Length: 62.5mm

### PHYSICAL PROPERTIES

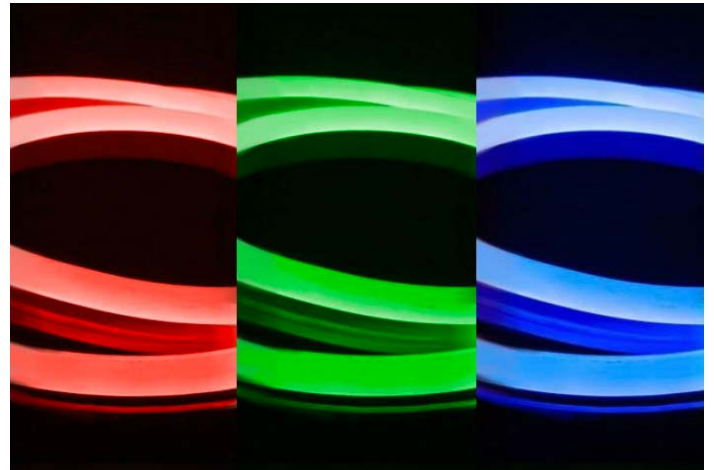
Material: Silicone

Width 11mm

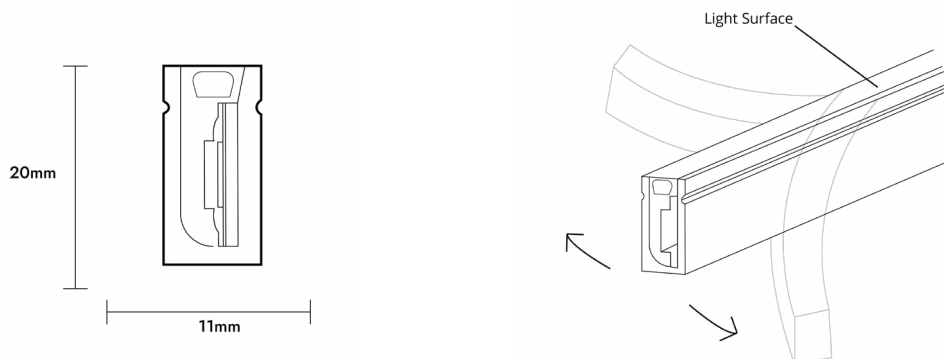
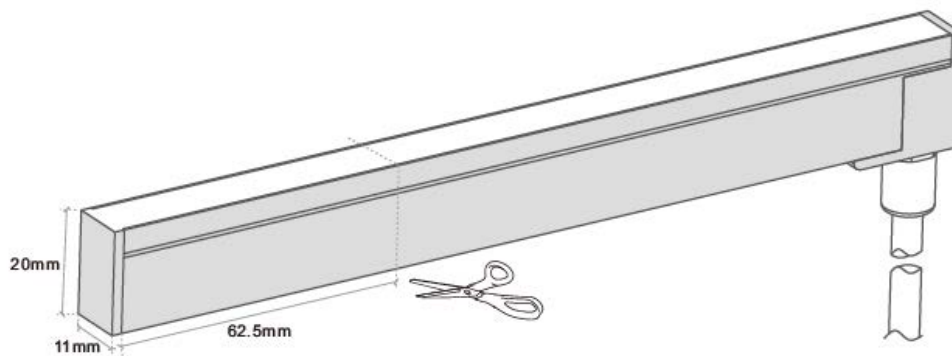
Height 20mm

Max Reel Length: 5m

### PRODUCT VIEW



### DIMENSIONS



## POWER OPTIONS

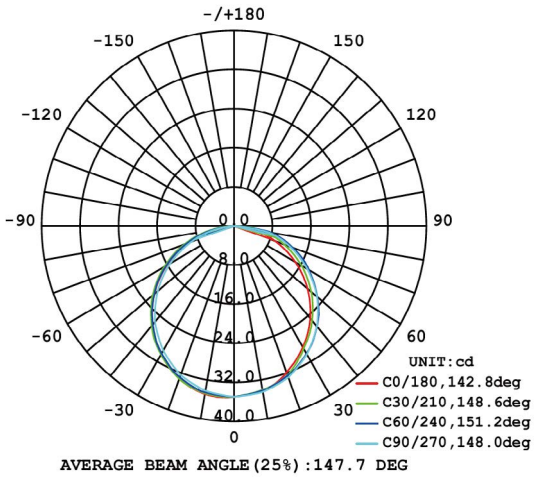
Power/M (W)	14.4		
Wave Length (NM)	620-625	530-535	470-475
LM/M	380	380	380
FPC Copper (OZ)	3		
Chip	Continuous Chip		
Voltage	12-24V		
Dimming Options	Non-Dim / Mains Dim / 1-10V / DALI		
Beam Angles	147.7°		
Binning	3-Step MacAdam Ellipse		
Lumen Maintenance	LM80		
IP Rating	67		
Lifetime	50,000 Hours		
Colour Temperature	2700k / 3000k		
Operating Temperature	Ta = -20° to 50°C		
Storage Temperature	-25° ~ 60°C		
Electric Shock Resistance Grade	Class III		

## PARTCODE BUILDER

Example Code: **NF-11X20-SV-RGB-90-67-24**

Family	Size	View	CCT	CRI	IP Rating	VOLTS
<b>NF</b> DecoFlex	<b>11X20</b>	<b>SV</b> Side View	<b>RGB</b>	<b>90</b>	<b>67</b>	<b>24</b>

## POLAR CURVES



## ACCESSORIES

Mounting Clip: NF-11X20-CLIP

End Cap: NF-11X20-ENDCAP

End Cable: NF-11X20-RGB-ENDCABLE

Side Cable: NF-11X20-SIDECABLE

RGB Controller: NF-RGB-CTR

Jumper: NF-11X20-RGB-JUMPER

Splice Connector: 11X20-RGB-SPLICE

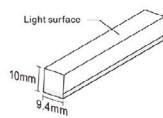
DecoFlex Bend-R Profile

DecoFlex Aluminium Profile

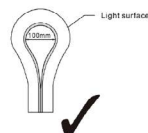
[DecoFlex Accessory \(Link\)](#)

## LED STRIP CAUTION

### Light Profile



### Correct Bending Way



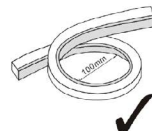
Face to the light surface  
fold the strip, the  
minimum bending  
diameter is 100mm

### Incorrect Bending Way

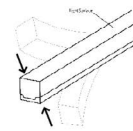
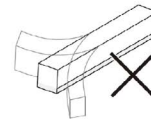


Face to the side surface,  
(as the picture shows)  
Do not bend sideward to  
damage the strip.

### Bending Direction



Light surface upwards, the  
strip is bendable to right or  
left naturally, the minimum  
bending diameter is 100mm



Warranty void if  
subjected to pressure.



(as the picture shows)  
please do not twist the  
strip, or it will be damaged.